

# LACONIA FIRE DEPARTMENT LACONIA, NH

QUOTE 138470

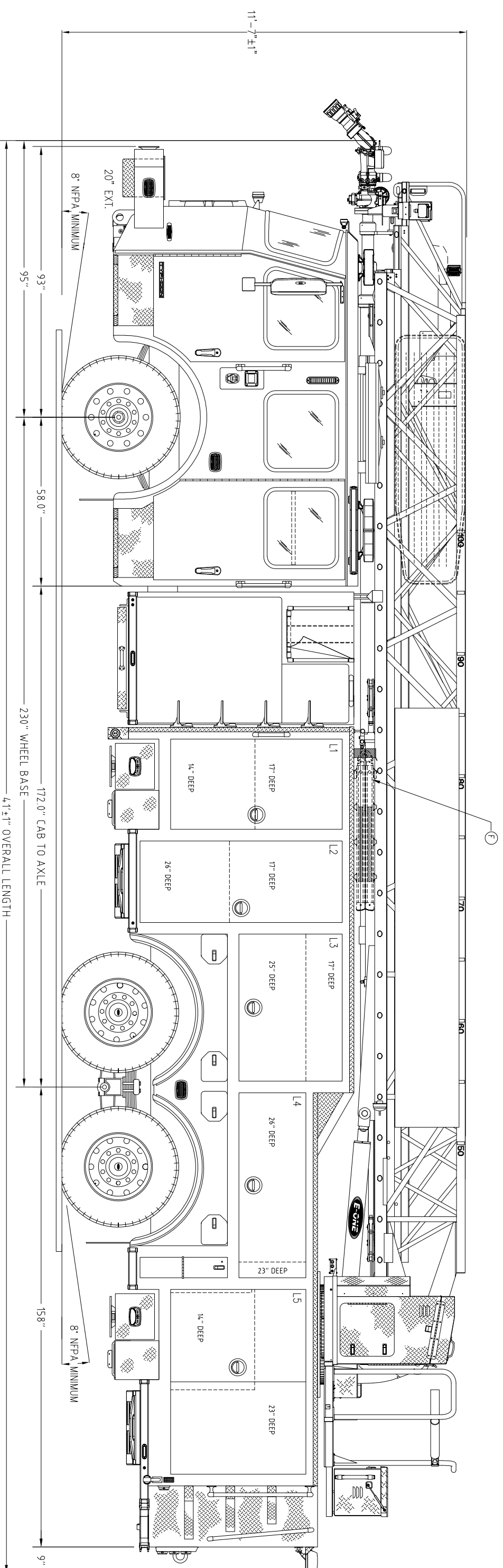
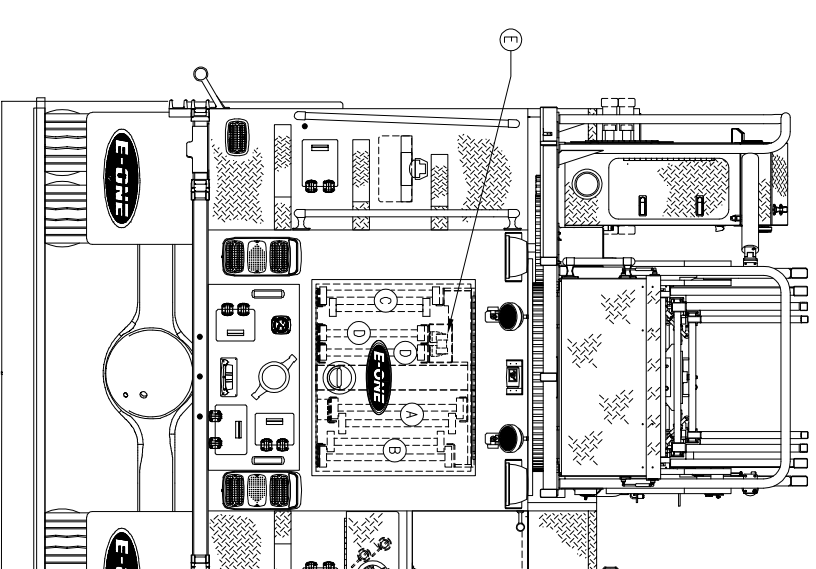
AERIAL BODY W/ SIDE STACKER HOSEBED  
E-ONE TYPHOON CHASSIS  
HR100 LADDER

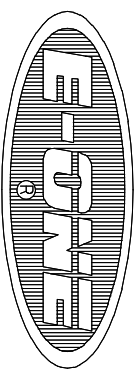
THIS DRAWING IS FOR REFERENCE PURPOSES. ALL DIMENSIONS ARE SUBJECT TO MINOR VARIATIONS DUE TO MANUFACTURING PROCESSES.

This print is the property of E-One, Inc. and is loaned to you subject to return on demand, unless otherwise agreed to in writing by E-One, Inc. Its contents are confidential and must not be copied or submitted to third parties for use or examination.

1500 GPM HALE QMAX PUMP 500 GALLON WATER TANK	HOSE LOAD: NFPA COMPLIANT
--	------------------------------

COMPT.	OPENING	INTERIOR DIMENSION				
L1/R1	31W	59H	31W	30H	17D	UPPER
			31W	29H	14D	LOWER
L2/R2	28W	69H	28W	38H	17D	UPPER
			28W	31H	26D	LOWER
L3	50W	35H	50W	12H	17D	UPPER
			50W	23H	25D	LOWER
R3	31W	19H	31W	19H	14D	
L4	63W	23H	63W	23H	NOTED	
R4	28W	26H	28W	26H	23D	
L5	63W	46H	63W	17H	23D	UPPER
			63W	23H	14D	LOWER
GROUND LADDERS						
ITEM	LADDER LENGTH	MODEL NUMBER	QTY			
A	35' 2-SECT.	1200-A 35'	1			
B	28' 2-SECT.	1200-A 28'	1			
C	24' 2-SECT.	900-A 24'	1			
D	14' ROOF	775-A 14'	3	ONE ON AERIAL		
E	10' FOLDING	585-A 10'	1			
F	LITTLE GIANT	MODEL 17	1			





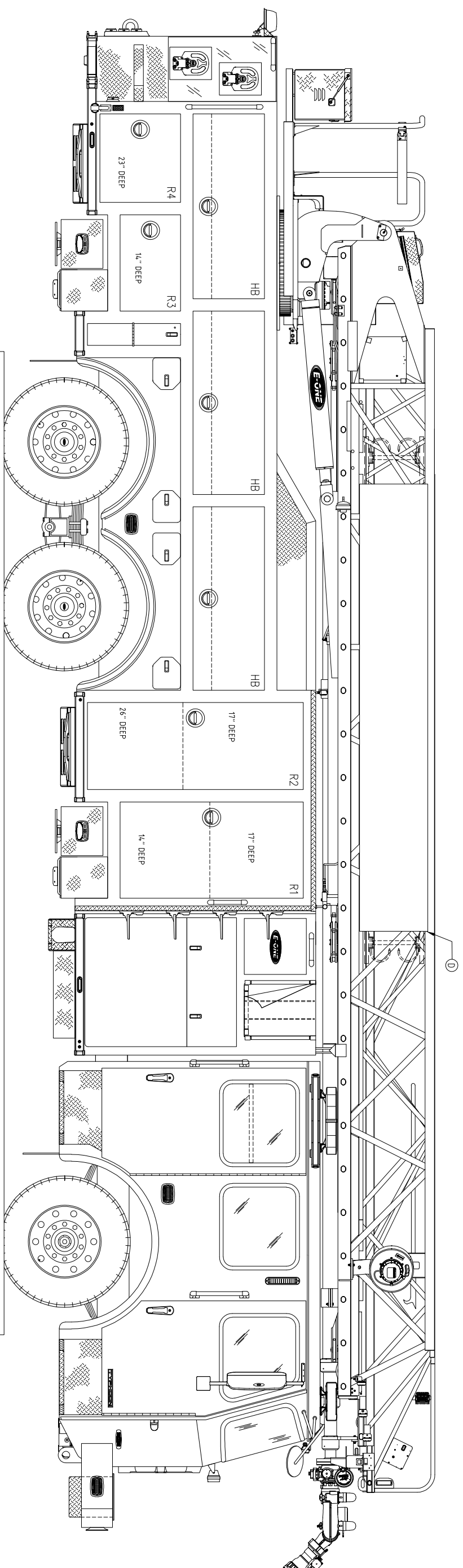
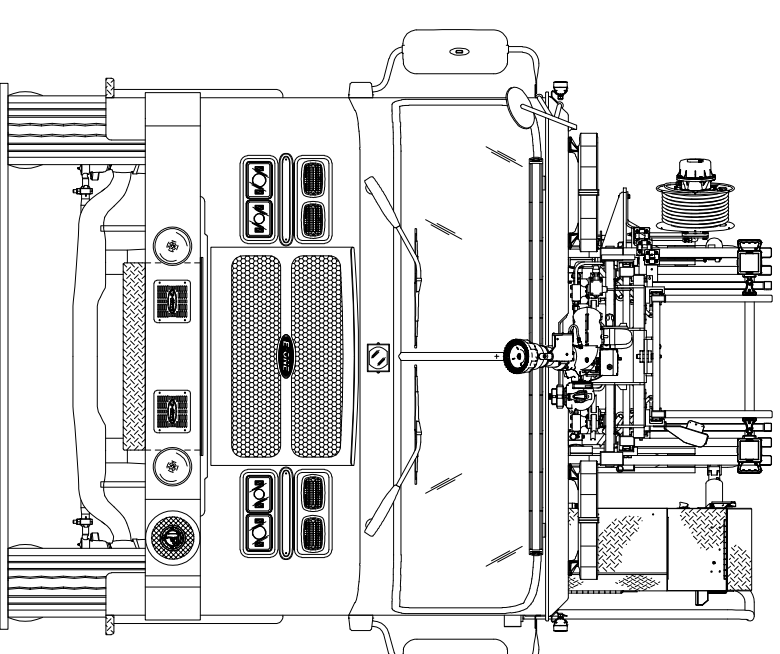
# LACONIA FIRE DEPARTMENT LACONIA, NH

QUOTE 138470

AERIAL BODY W/ SIDE STACKER HOSEBED  
E-ONE TYPHOON CHASSIS  
HR100 LADDER

THIS DRAWING IS FOR REFERENCE PURPOSES. ALL DIMENSIONS ARE  
SUBJECT TO MINOR VARIATIONS DUE TO MANUFACTURING PROCESSES.

This print is the property of E-ONE, Inc. and is loaned to you  
subject to return on demand, unless otherwise agreed to in writing by  
E-ONE, Inc. Its contents are confidential and must not be  
copied or submitted to third parties for use or examination.



STANDARD	DATE	BY	APPROVAL
2024-09-13	REV 1	APPROVAL	APPROVAL
2024-09-13	DATE	BY	APPROVAL